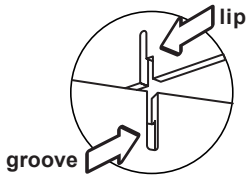


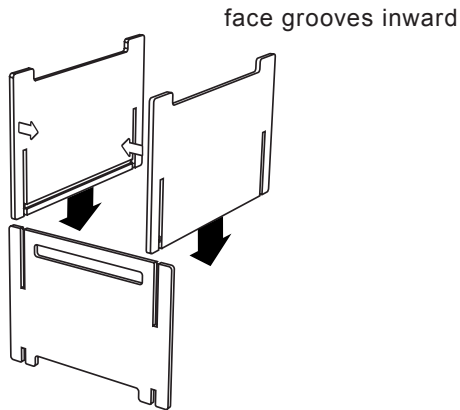
# assembly instructions stackable file box



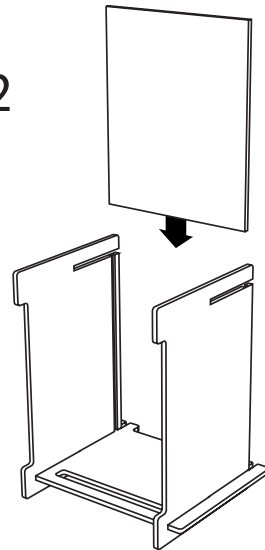
**important:** Simple Furniture is manufactured to exact tolerances and is engineered for a tight fit. Grooves must face inward and align with lip as noted or furniture will not assemble correctly. If you purchased an unfinished model, see "furniture facts" at [www.thesimplefurniturecompany.com](http://www.thesimplefurniturecompany.com) BEFORE FINISHING.

watch the assembly animation of this product at [www.thesimplefurniturecompany.com](http://www.thesimplefurniturecompany.com).

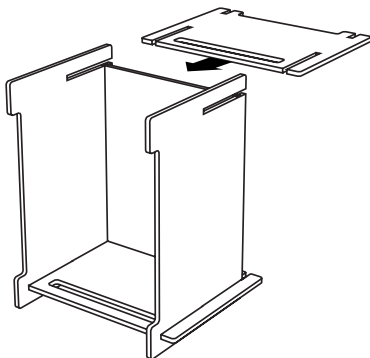
1



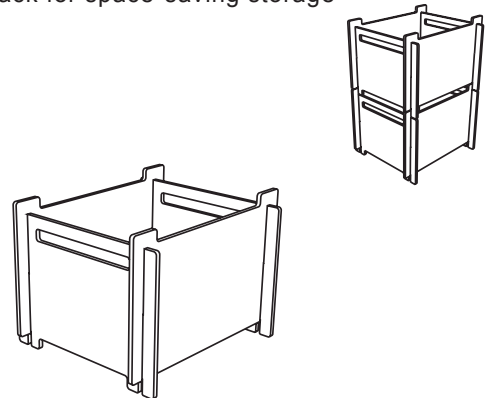
2



3



file boxes stack for space-saving storage



see reverse side for care instructions, safety tips, and warranty information.



©2005 the simple furniture company,  
all rights reserved - patents pending.



real. simple. furniture.

the  
simple  
furniture  
company.com™

# safety tips, care instructions and warranty information.

**caution:** Serious injury or damage to this product may occur if failure to follow these cautions: 1) Do not overload furniture with excessive weight. 2) Use furniture for its intended purposes only. 3) Do not climb or stand on furniture. 4) Do not use furniture as a stepladder. 5) Place heavier items on bottom shelves. 6) Do not use furniture unless all parts are securely in place. 7) If parts are damaged or worn, stop using furniture immediately. 8) Chairs are designed for one-person only; loveseats are designed for two-persons only; couches are designed for three-persons only. 9) Dispose of packing materials properly.

**important:** Simple Furniture is manufactured to exact tolerances and is engineered for a tight fit. Grooves must face inward and align with lip as noted or furniture will not assembly correctly. If you purchased an unfinished model, see "furniture facts" at [www.thesimplefurniturecompany.com](http://www.thesimplefurniturecompany.com) BEFORE FINISHING.

**be careful not to drop** any of the components on notched areas to help prevent breaking, splitting or weakening of the joints.

**do not force a component** to fit into a corresponding notch. If a piece doesn't fit or rest properly and flush, simply turn it around and re-insert it. When assembling this product always align pieces perpendicular to one another to help prevent breaking off notched areas. ALSO, due to humidity levels (in some climates) and temperature changes during shipping (especially with unfinished products), it may be necessary for you to allow your new furniture to sit for a period of time after it is unpackaged and adjust to its new environment prior to assembly.

**when laying out components** for assembly, place them on a soft surface to prevent scratching or damaging the edges or surfaces.

**this product is for indoor use only.** Read all instructions prior to assembly and abide by all manufacturer cautions to ensure safety and years of enjoyment.

**warranty:** The Simple Furniture Company offers a 90-day warranty from manufacturing defects only.

**furniture care:** Wipe furniture with a clean, damp cloth and use furniture polish as needed. Since Simple Furniture is real wood (made from a renewable species of imported Baltic Birch plywood), nicks and scratches can be touched up with a furniture pencil, or in extreme cases by stripping, sanding and restaining as you would any piece of quality furniture.

## comments or questions?

Email us at [www.thesimplefurniturecompany.com](http://www.thesimplefurniturecompany.com). Please include the model number located on the box and in the upper right corner on the reverse side of this instruction sheet. Thank you for your purchase.



renewable  
resource

©2005 the simple furniture company,  
all rights reserved - patents pending.



real. simple. furniture.

the  
simple  
furniture  
company.com™